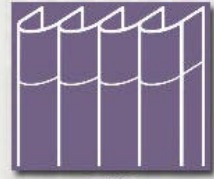


Installation and operating instruction for Luxaflex® Luminette® Sheers



GB

STANDARD MOUNTING

General information

Please read the following installation and operating instructions carefully.

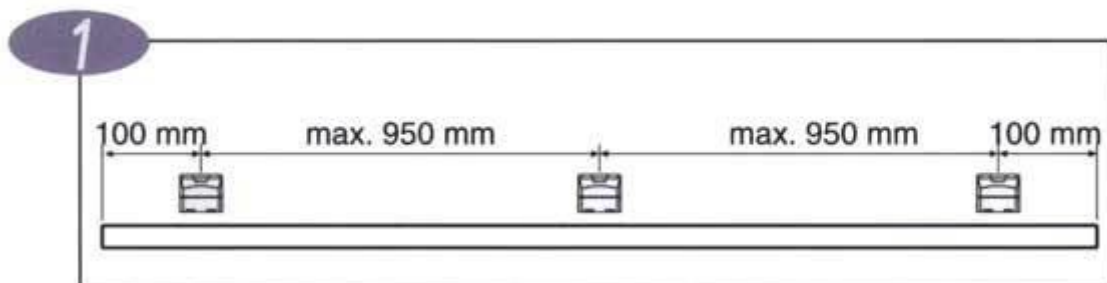
We are unable to accept responsibility for products that have not been installed or operated correctly.

On our part, please use mittens when you (de)mount the Luxaflex® Luminette® Sheers.

This to protect the Luminette® Luminette® Sheers from damage and stains.

1. Position

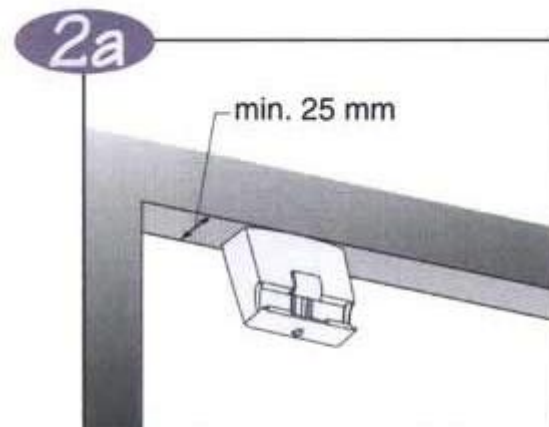
Mark the position of the brackets. The outermost brackets are positioned 100 mm from the ends of the SofTrak rail. The distance between the brackets should not exceed 950 mm. The brackets should be spaced evenly across the width of the blind at the same level. Check with a spirit level! Allow for obstructions like window handles etc.



2. Mounting the brackets.

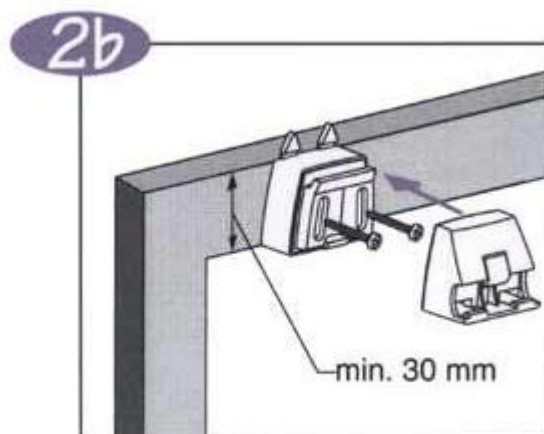
2a. Mounting in the soffit

Fix the ceiling brackets with the top against a flat surface, as shown. Allow for a minimum depth of 25 mm.

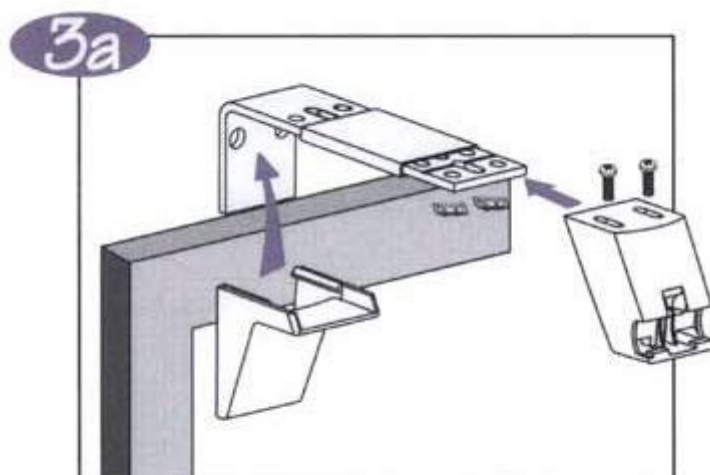


2b. Mounting on the face

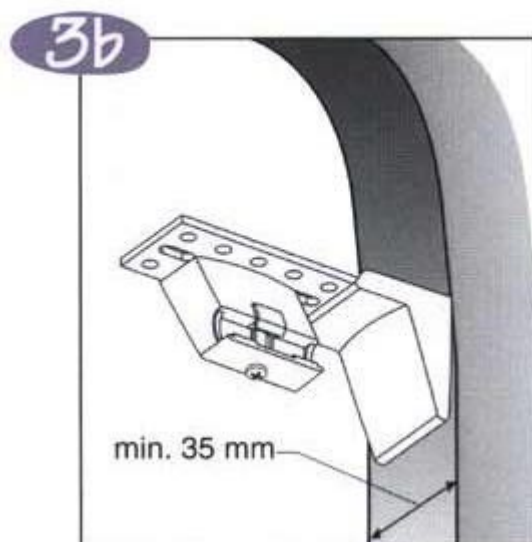
Fix the spacer block to a flat surface as shown. Click the bracket on to the spacer block. Allow for a minimum height of 30 mm.

**3. Mounting options****3a. Extension brackets on the face**

Screw the ceiling bracket to the extension bracket as shown. Finish the metal extension brackets neatly with the caps provided.

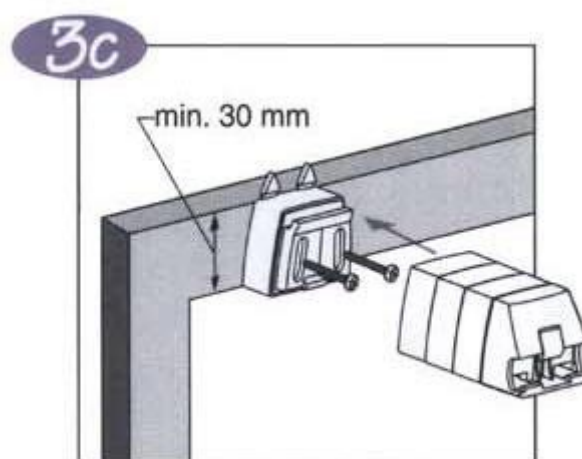
**3b. Side mounting on the face**

Screw the ceiling bracket to the extension bracket as shown. Finish the metal extension brackets neatly with the caps provided. Allow for a minimum depth of 35 mm.



3c. Spacers on the face

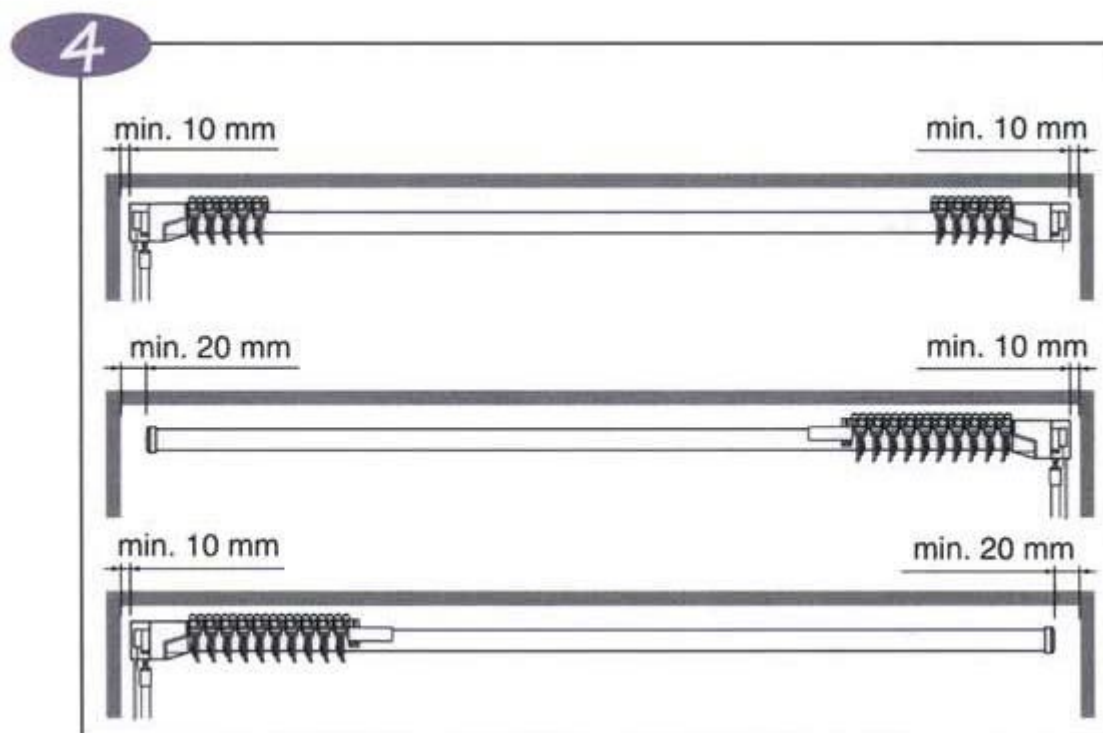
Fix the spacers (max. 4) on a flat surface as shown. Click the bracket on to the last spacer block. Allow for a minimum height of 30 mm.



INSTALLATION

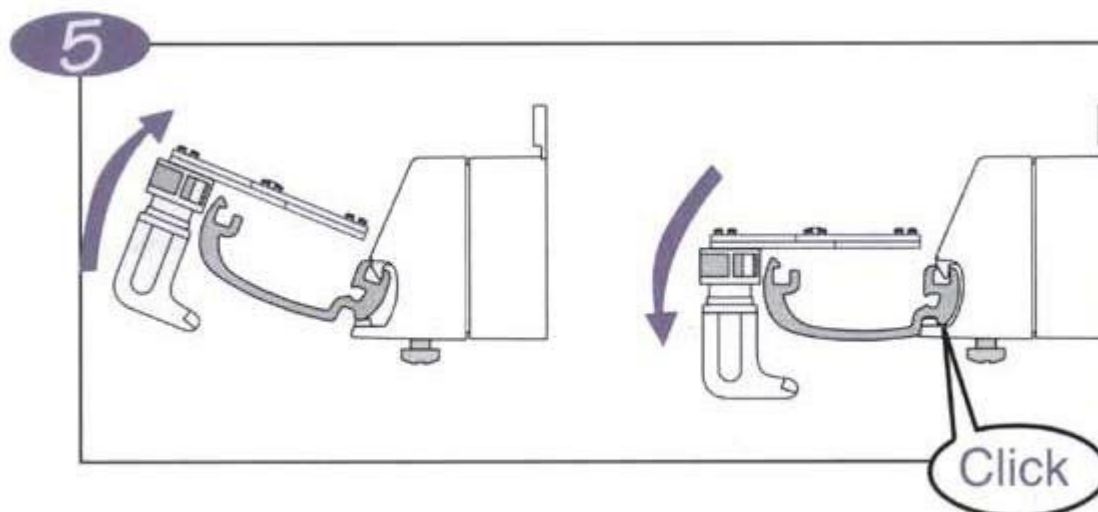
4. Positioning the SofTrak rail

Allow for the clearance required between the SofTrak rail and the mounting surface. Depending on the closure selected, the clearance should be 20 mm on the closing side and 10 mm on the operating side (side closing) or 1 cm on each side (centre closing).



5. Fixing the SofTrak rail

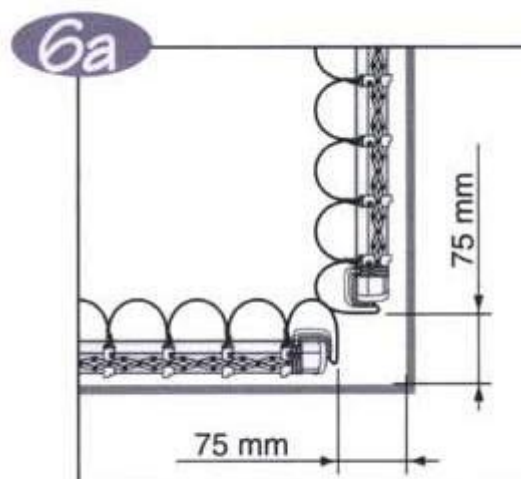
Start by pushing the rail into the suspension slots in the brackets with the front pointing up. When the grooves behind all the suspension slots have been hooked in, push the rail down until it clicks into place. The rail is then secured by tightening the setscrews.



6. Installation options

6a. Corner installation and bay windows

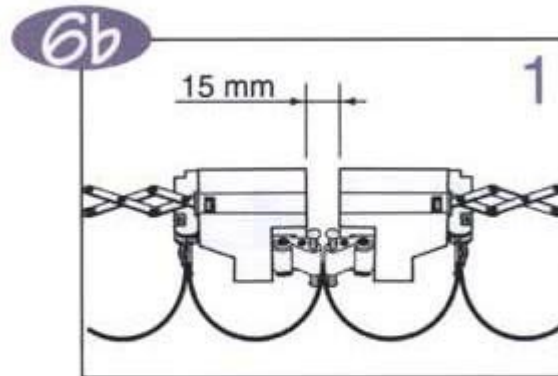
When installing into a corner allow for a clearance of 75 mm.



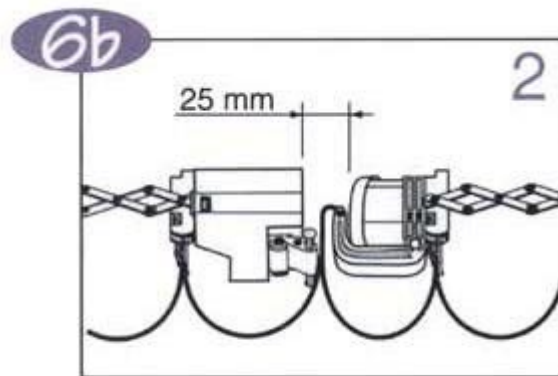
6b. More than one product in a row

When two or more products are placed next to each other, the distance between the products depends on the closure method selected. For the most effective closing, there are three ways of adjacent mounting:

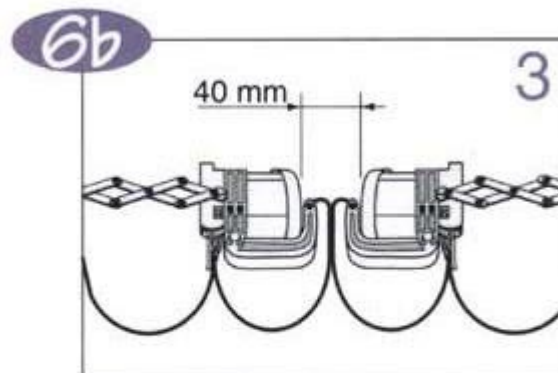
1. Two operating sides;
15 mm clearance between products



2. One operating side
+ one closing side;
25 mm clearance between products

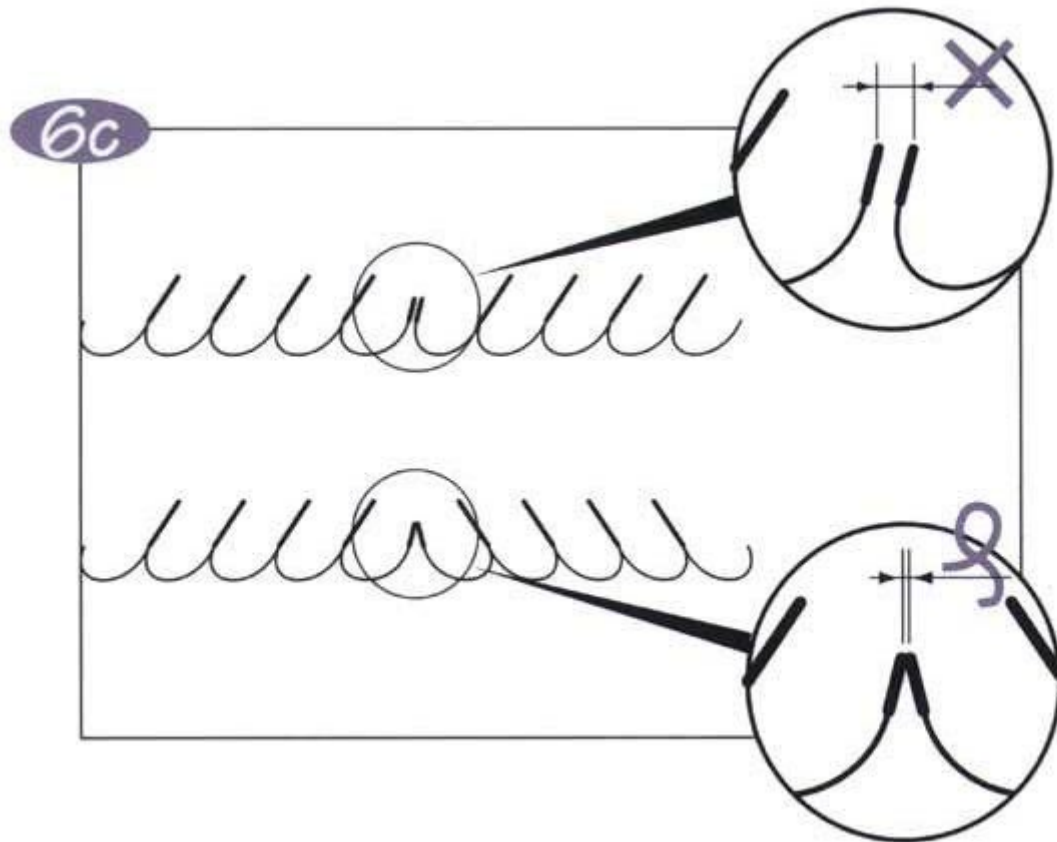


3. Two closing sides;
40 mm clearance between products



6c. Centre closing using 2 tracks

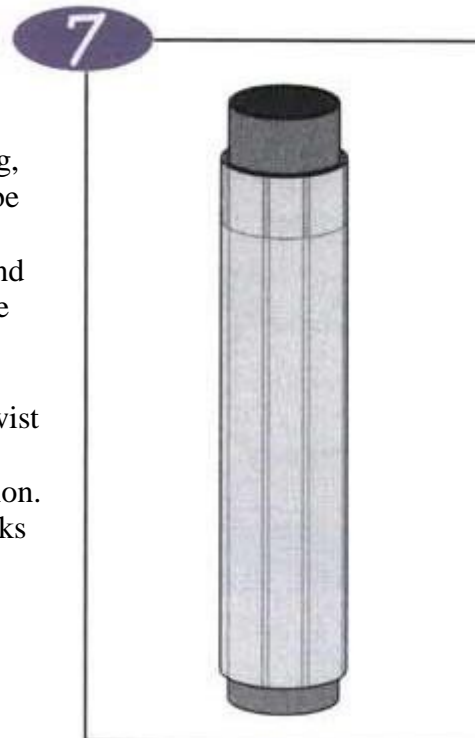
In a situation as referred to in 6b.3, the vanes should be turned in opposite directions for the most effective closure. This will keep the light gap in the centre to a minimum.



ATTACHING THE BLIND

7. Attach the sheer

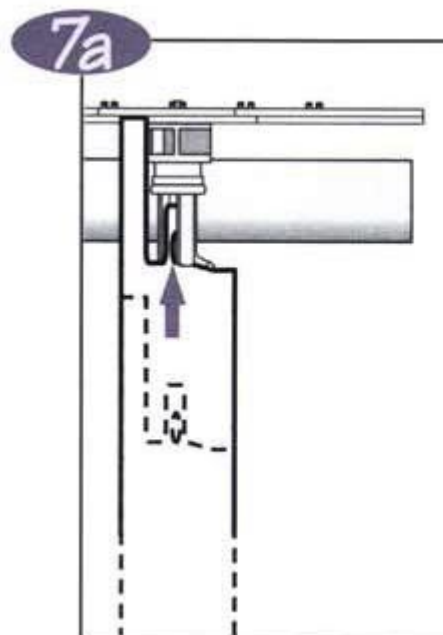
Take the sheer out of the protective packaging, but **DO NOT** unroll it from the cardboard tube yet. As shown in the drawing, place the tube upright on a clean surface with the top fold and the cut-outs in the vanes uppermost. Place the tube on the stack side of the SofTrak system, (if the tube is too long to put down, cut the protruding part off with a sharp knife), and twist the operating rod until the track hooks have turned approximately 90° to the central position. Next pull on the pull cord until the sheer hooks are stacked tightly together. Unroll the sheer until you have enough to hang the first vane onto the first track hook.



7a. Secure the track by clicking the vane eye on to the track hook. Continue unrolling the sheer, attaching the vanes to the track hooks one by one as you go.

voor één aan de gordijnhaken.

Caution: make sure you do not miss out any hooks or vanes.

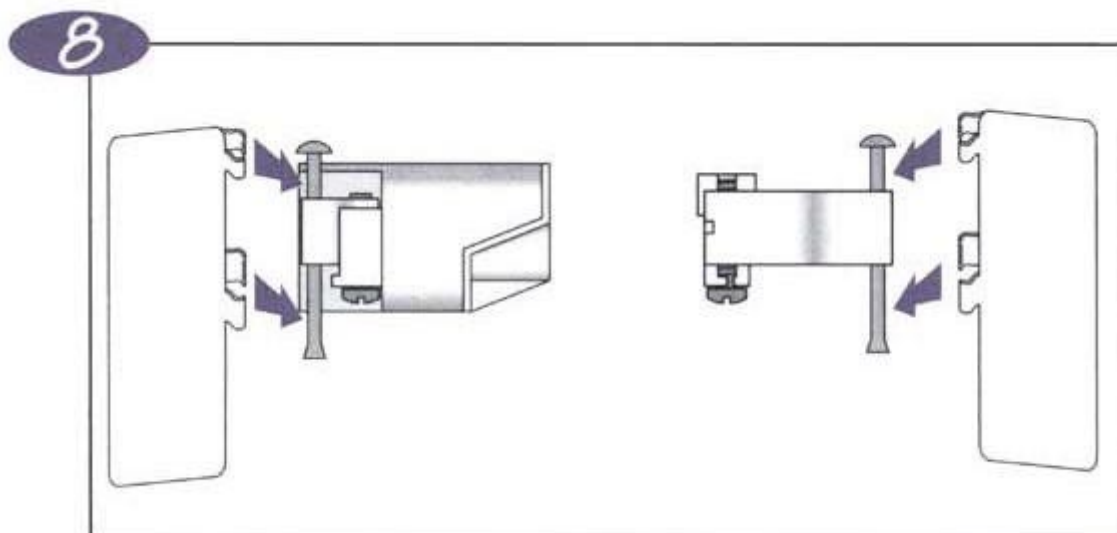


8. Mounting hinge plates for the end trim

Take the hinge plates and Velcro fastening from the sheer.

Caution: The left and right hinge plates are different.

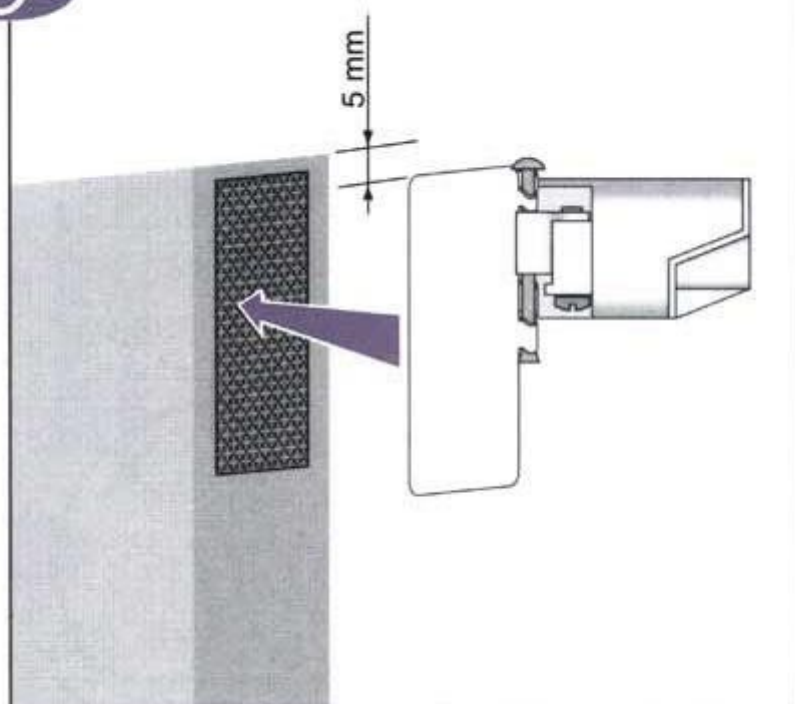
Attach the hinge plate to the hinge pin on the swivel arm. For side-closing sheers, one swivel arm is fitted to the closing side and one to the operating side. In a centre closing sheer the swivel arms are on both sides. Push the hinge pins up far enough so that the hinge plate clamps can be clicked above and below the pin, as shown in the drawing.



9

9. Attach end trim

Hold the end trim at the right height by the hinge plate, so that the first vane is hanging straight and the top of the end trim protrudes approximately 0,5 cm above the hinge plate. Press the two strips of Velcro together to attach the end trim.

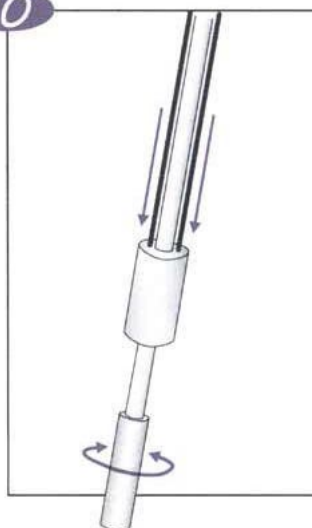


OPERATION

10

10. Operating rod

The operating rod is a combination of twist rod and pull cord. Twisting the operating rod turns the vanes, and pulling on the cord opens or closes the sheer.



DEMOUNTING

Remove the end trim from the hinge plates and take the vanes off one at a time by pushing the vane upwards and forward. Keep the vanes straight and use the original cardboard tube and packaging to store the sheer.

Caution: The vanes MUST NOT be folded or bent!

Loosen the setscrews on the brackets to remove the SofTrak rail from the brackets. Take care at all times and be sure not to fold the fabric, particularly where the vanes are attached. Any creases that do occur will usually drop out after a while.

CLEANING

Dusting regularly with a feather duster or a hand-held vacuum cleaner on a low setting is usually enough to keep your Luminette® sheer clean and looking good for a long time. Dirt that has penetrated and most stains can be removed by immersing the product in a bath of warm water (max. 30°C) containing a mild, non-synthetic detergent. Rinse with clean water, hang out and dry with the vanes in the open position.

Caution: DO NOT fold, bend or iron the vanes!

The Luminette® sheer can also be cleaned (using ultrasound) by professional cleaners (with the exception of the fabric quality "Evening Star"). Please contact your supplier for information.

This advice has been compiled with care. Nevertheless we cannot accept any responsibility for the results of cleaning.