

Installation and operating instructions for Luxaflex® Venetian Blinds



16 / 25 MM
Luxaflex Lightline®
Ondulette®



GB

STANDARD FITTING

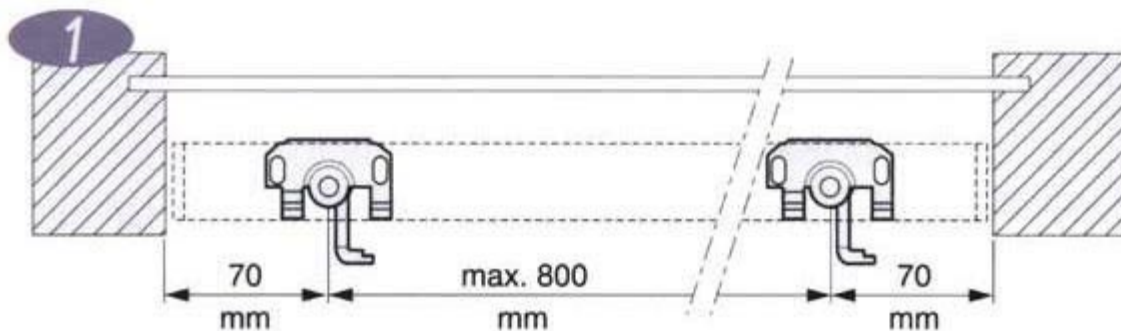
The blinds are supplied with brackets for installation.

General information

Please read the following installation and operating instructions carefully.
We are unable to accept responsibility for products that have not been installed or operated correctly.

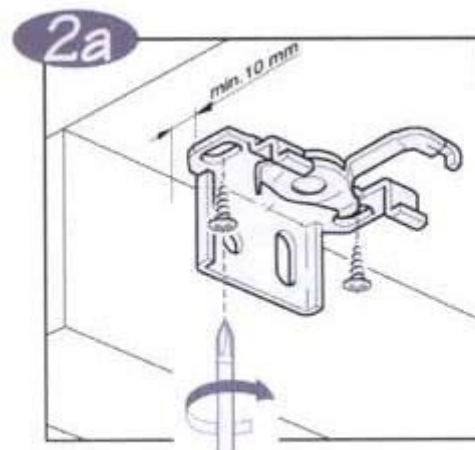
1. Positioning

Check that the brackets will be fitted in line, level and with a maximum distance between the brackets of 800mm (31 1/2"). Make sure the position chosen allows the blind to drop, clearing any obstruction such as window handles etc., and that the brackets will not interfere with the mechanisms in the headrail. Blinds with a total surface more than 4m² are fitted with 2 brackets near the cordlock-mechanism.



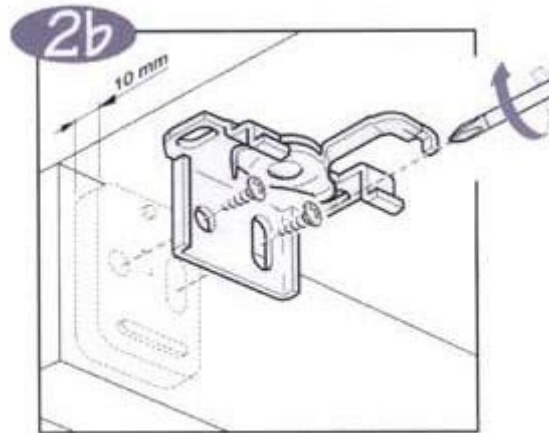
2a. Fitting the brackets

The brackets can be top fixed or face fixed.



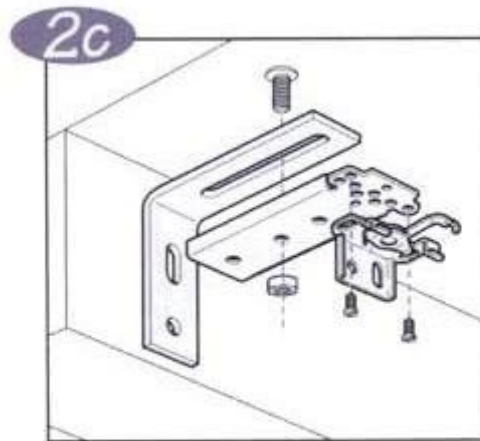
2b. Using a 'spacer block'

If fitting a Luxaflex Lightline® or Ondulette® blind, a space of 10mm (1/2") is required between the wall and the back of the headrail. A special 'spacer block' is supplied for this purpose.



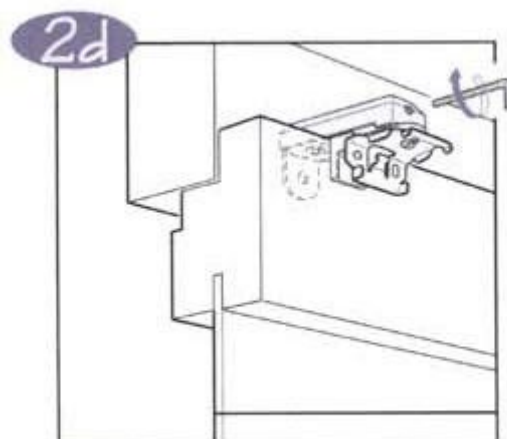
2c. Optional Extension brackets

The swivel brackets can be attached to the special extension brackets. These brackets can be used to increase the clearance between blind and the window frame. For fixing to a ceiling a top fix only bracket is available on request.



2d. Optional (TAT) brackets

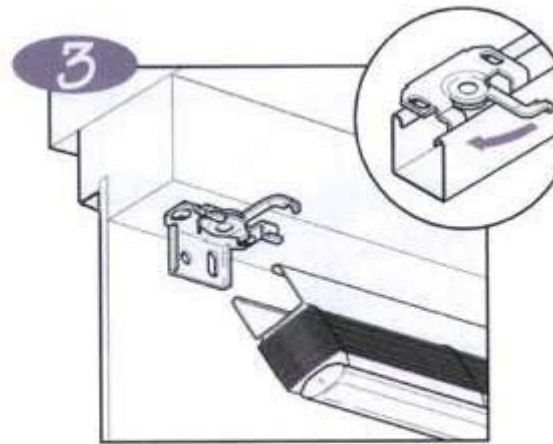
For 'Tilt and Turn' windows, brackets with a clamp mechanism may be used.



INSTALLATION

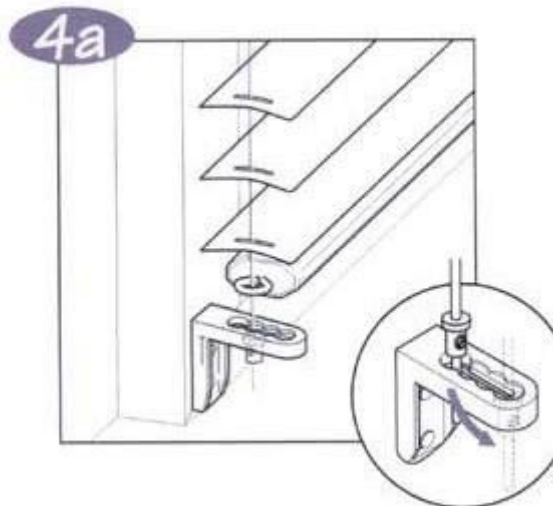
3. Installing the blinds

After the brackets have been fitted securely, set the swivel bracket to the open position. Insert the headrail into the brackets and close the swivel.



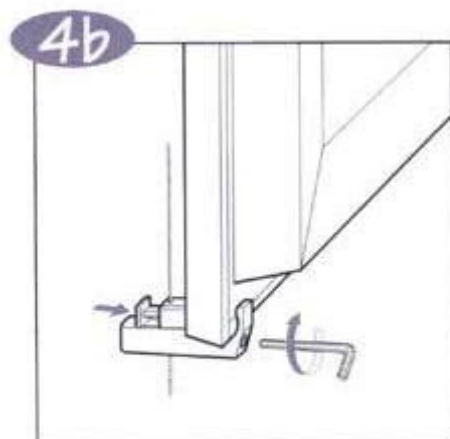
4a. Side guiding

If you specified your blind with side guiding, a space of 10mm (1/2") will be required from the end of the headrail. The side guiding brackets can be face or sill fixed.



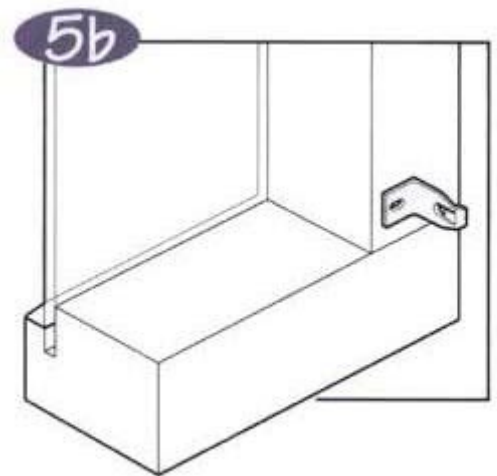
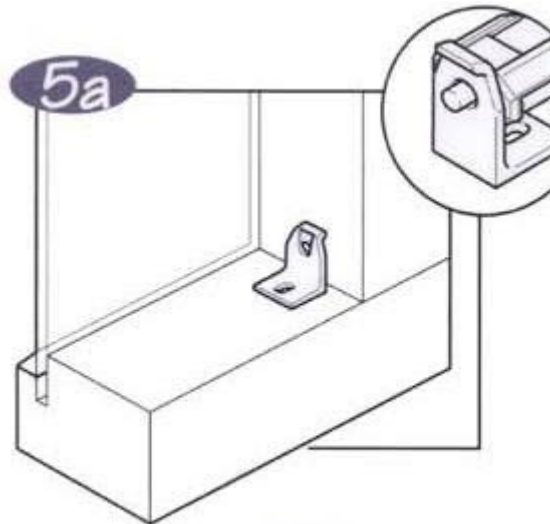
4b. Side guiding for 'Tilt and Turn' windows

To attach the side guiding cable, fix the clamp bracket to the window. Feed the cable through the holes of the clamp bracket and attach to the special slide. Tighten the cable and press the slide to the end position.



5. Hold down brackets

When fitting hold down brackets, the end cap pins locate into the brackets to hold the blind in position. To raise the blind, the bottom rail must be released by pulling the hold down brackets to the sides.



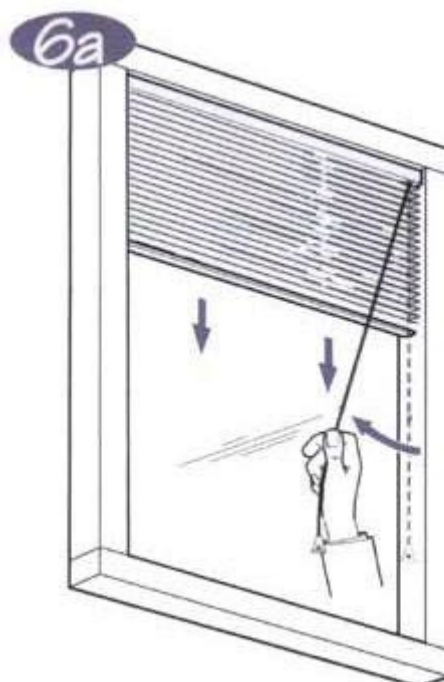
OPERATING

6a. Standard cord and wand titter:

Always tilt the slats to a horizontal position by turning the wand, before raising or lowering the blind.

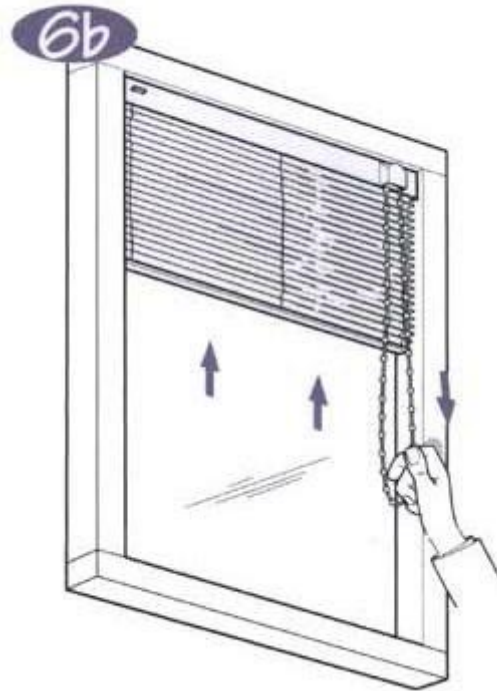
Lowering: pull the cord diagonally towards the centre of the blind to release the cord lock. Then allow the blind to drop by letting the cords slip through your fingers at this angle. An angle of approximately 45° between the cord and the headrail is optimal.

Raising: pull the cord vertically until the desired position is reached. Holding the cord towards the edge of the blind will help engage the cord lock to secure the blind in this position.



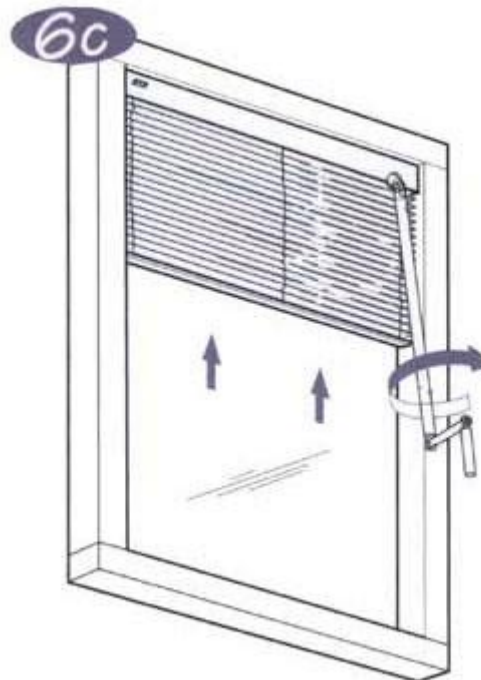
6b. Chain control:

The endless chain control is very convenient in use and self-explaining in operation. The mechanism combines the tilting function with the raising / lowering in one operation.



6c. Crank Rod Control:

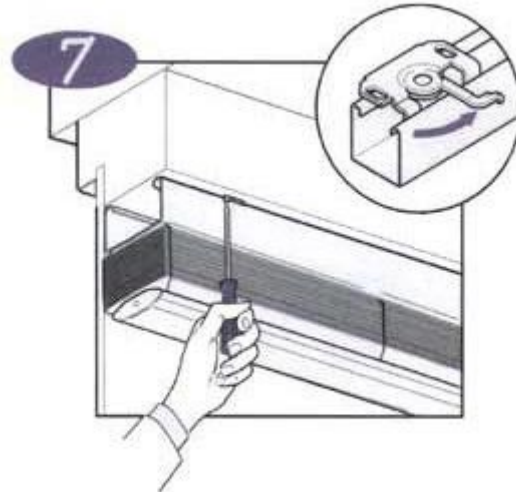
Similarly to the chain control, the Crank rod control also is very convenient in use and self explanatory in operation. The mechanism again combines the tilting function with the raising / lowering in one operation.



REMOVING

7. Removing blind

By using a flat blade screwdriver, the swivel bracket can be opened to allow removal of the blind.



CLEANING

The Luxaflex® blinds are easy to clean. Under normal circumstances regular dusting with a duster will be sufficient. If required, a damp cloth or a vacuum cleaner on low suction can be used. For more extensive cleaning, water and a mild household can be used.

For Luxaflex Lightline® blinds, the slats can be removed for cleaning. It is advisable to clean one slat at a time, replacing it in the ladder before removing the next slat. Make sure the slats are located correctly with the ladders engaged in the notches in the slat.