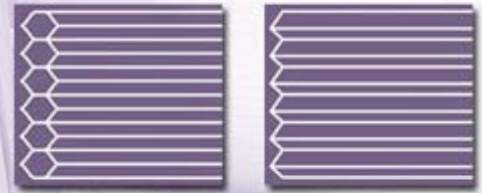


Installation and operating instruction for Luxaflex® Duette® and Plissé Shades



glazed conservatory or roof windows



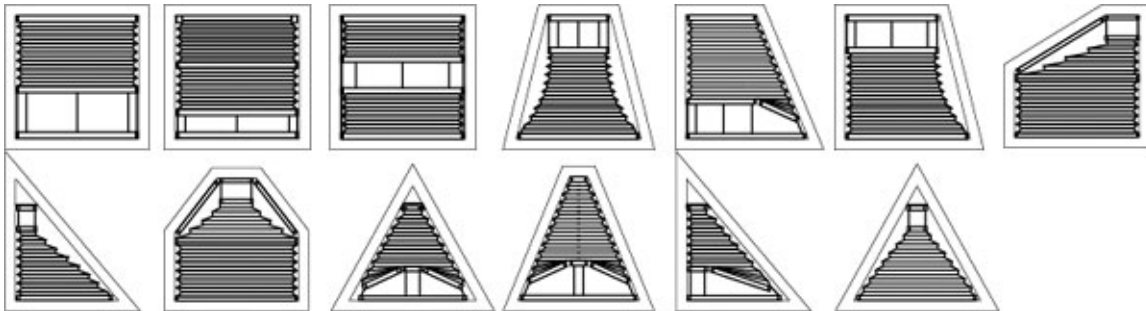
UK

www.Luxaflex.com

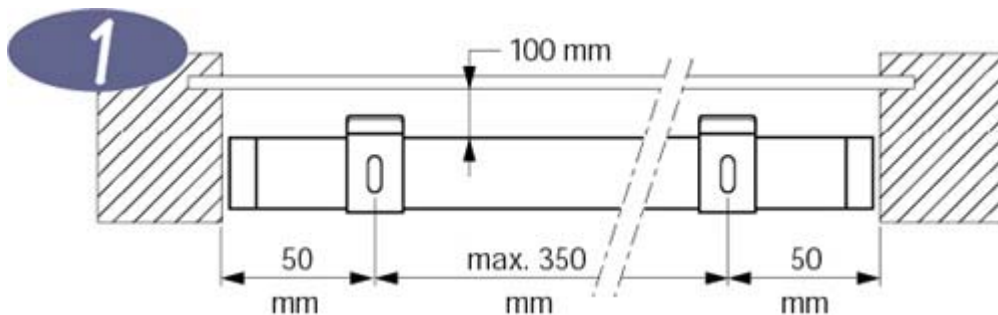
General information

Please read the following installation and operating instructions carefully. We are unable to accept responsibility for products that have not been installed or operated correctly.

These mounting instructions are standard for the models shown below.



Standard Mounting



1. Marking

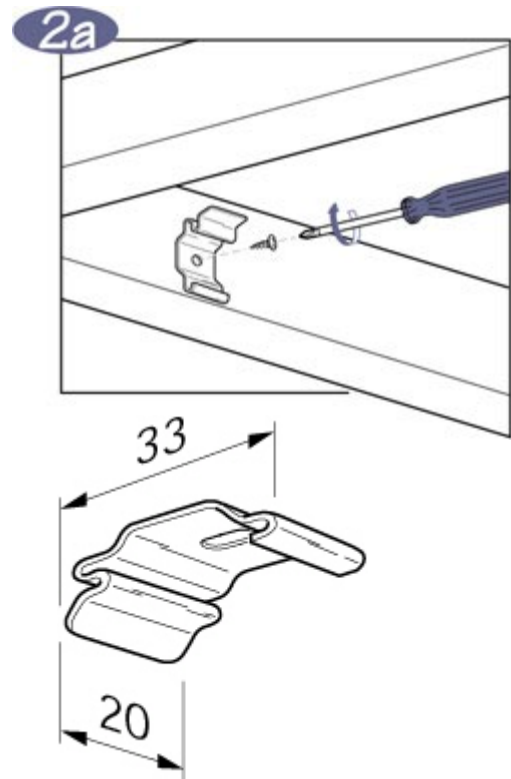
Mark the bracket position on window sill or ceiling as shown in diagram 1. Preferably also mark at each tension cable location.

Make sure that the mounting is sufficiently solid to support the product. Position the brackets so that the product will not be obstructed by protruding parts such as window or door handles.

2a. Mounting in recess

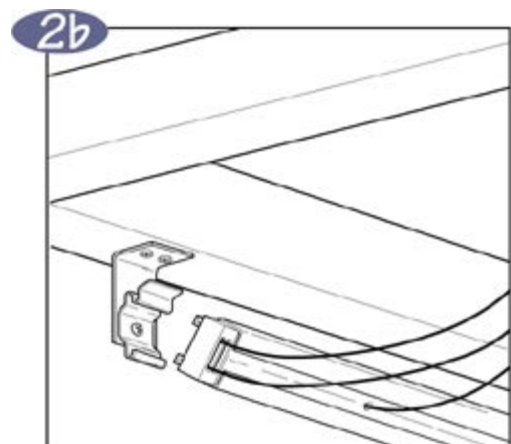
Mount, with the supplied screws, the bracket as shown in diagram 2a.

Note: It is recommended that you allow a minimum space of 100 mm between the window pane and your Duette® or Plissé shade product for good ventilation. Follow carefully any instructions from your window or conservatory supplier.



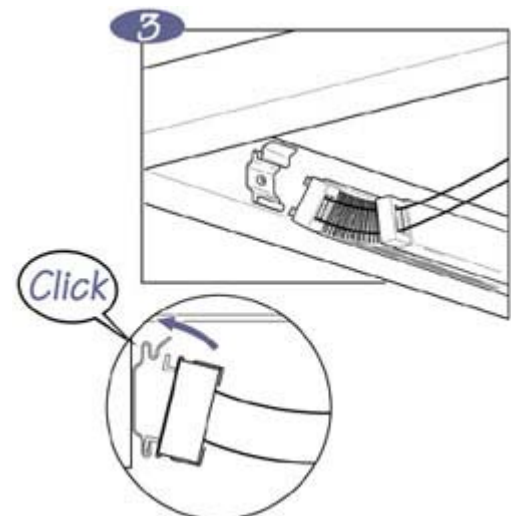
2b. Mounting face fit

Mount, with the supplied screws, the bracket as shown in diagram 2b.



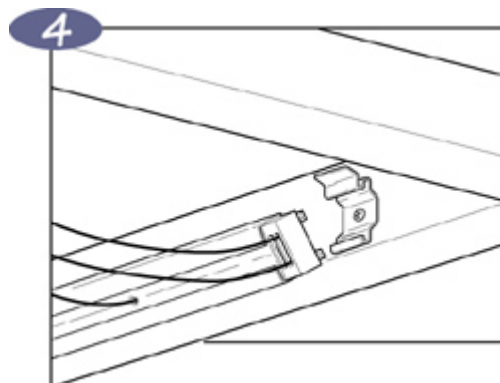
3. Mounting of the rail

Push the back of the rail up, so the metal strip of the bracket clips, with a "click" into the groove on the back of the headrail.



4. Mounting tension rail

The tension rail is mounted as the top rail. Follow steps 1 to 3. Make sure that the bottomrail position lines true with the headrail. The length of the guiding cables has been defined by the ordered droplength.



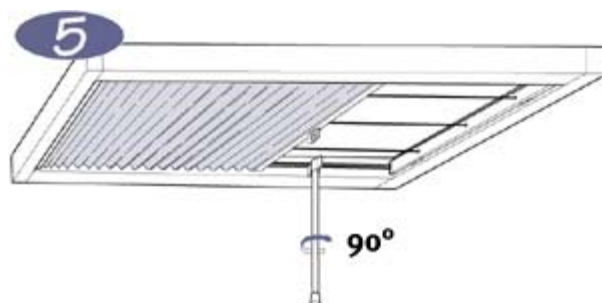
OPERATION

Depending on the chosen model, there are several operation possibilities:

5. Handle operation with wand

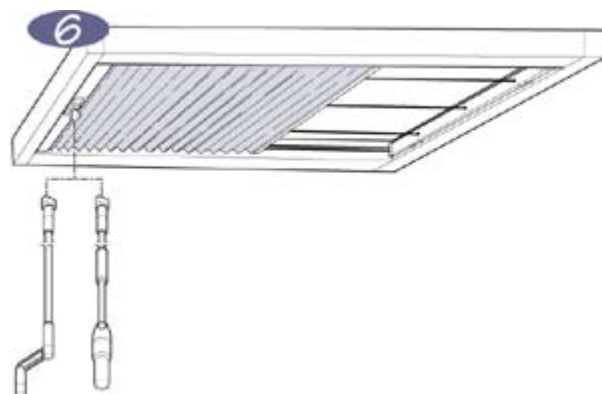
Attach wand onto the handle on the moving rail, twist the wand in a clockwise direction to lock onto the handle.

The angle of the handle can be adjusted for convenience.



6a. Manual crank operation

Attach the end of the crank onto the operating device and turn to lower or raise the blind.

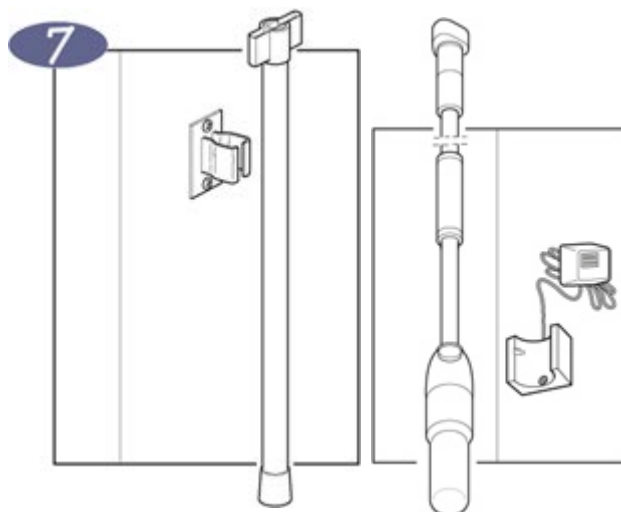


6b. Electric crank operation (powerdrive)

Attach the end of the powerdrive onto the operating device and turn to lower or raise the blind.

7. Wand bracket

It is recommended that the wand is mounted in an easily accessible location.



Electric operation (no diagram)

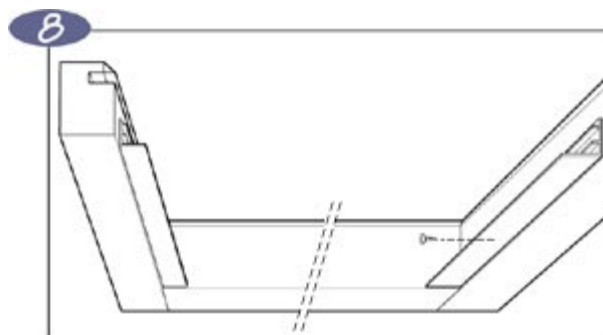
The blind is operated by the switch or remote control transmitter (as ordered).

MOUNTING OPTIONS

Depending on the situation, there are several mounting options:

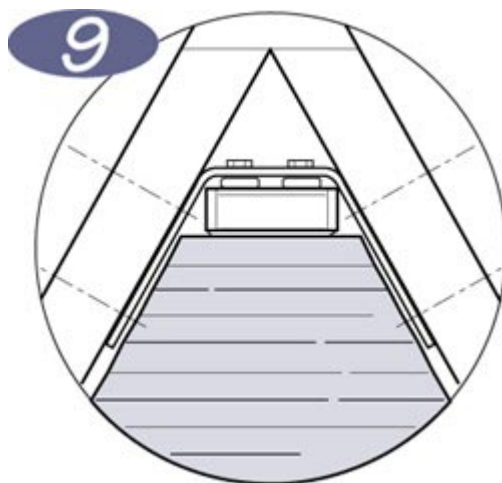
8. Side cover profiles in recess

Position the side guiding profiles as shown on the drawing and fix with the supplied screws.



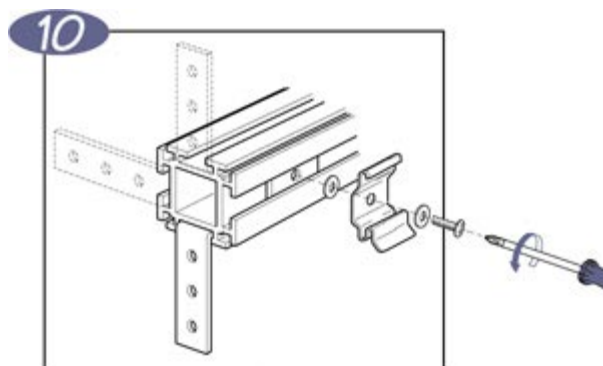
9. Mounting in a triangular window

Bend the mounting strip so it fits in the top. Fix the strip as shown in diagram 9.



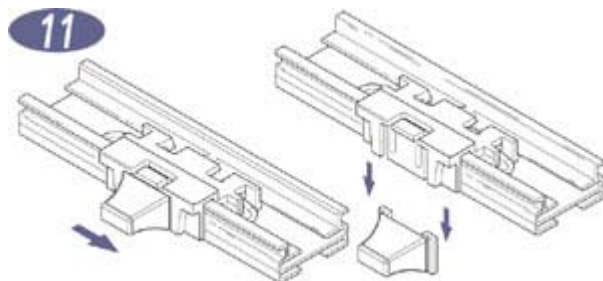
10. Mounting with box channel

The box channel can be used if you cannot mount directly on to the window frame. Slide the small metal plate into the slot of the profile and mount the brackets as shown in diagram 10.



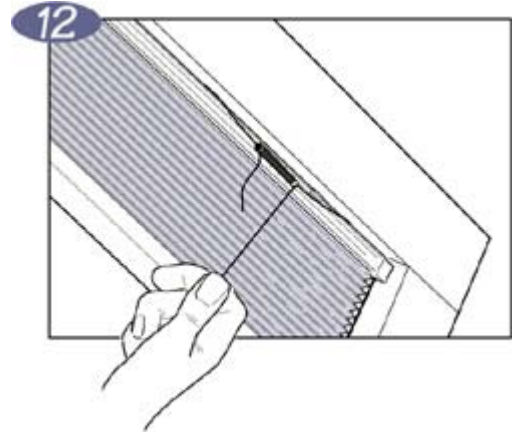
11. Tensioning the tension cables

It may be necessary to re-tension the tension cables. By moving the handle of the tension device in one direction, the tension is increased, by moving in the other direction, the tension will be decreased.



12. Adjusting Tension Cords

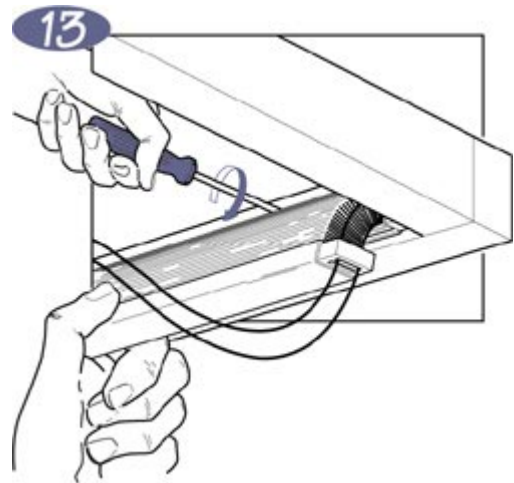
On rectangular roof blinds the cord tension can be adjusted with the tension device mounted on the On shaped blinds the tension is adjusted by altering the length of cord tied to a spring in the base rail.



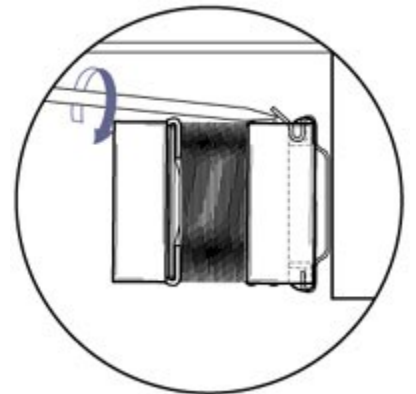
DEMOUNTING

13. Fully raise the blind.

Push a flat bladed screwdriver up between the headrail and the back of the mounting bracket. Gently turn the screwdriver and the blind will come loose.



Note: The top rail must be de-mounted before the guiding is released.



Maintenance

The fabric of both Duette® and Luxaflex® Plissé fabrics cannot be separated from the headrail. To prevent the Duette® and Plissé fabrics from becoming dirty, the blinds should be cleaned regularly with a feather duster or with a vacuum cleaner at a low setting. Stains should be removed as quickly as possible with a soft sponge and lukewarm water containing a non-synthetic detergent, if required.

NB.

Duette® and Plissé fabrics with a metallized back should not be cleaned with water, since this could damage the metallized coating.

In order to clean the whole blind, it is possible to submerge non-metallized Plissé, coated Duette® and Plissé fabrics in a bath, together with the bottom rail. This does not apply to the black-out version. You should remove the steel weighting slat from the bottom rail by taking the plastic end cap out of the bottom rail before washing.

Proceed as follows:

Fill a container, bath or basin with lukewarm water (30°C) and add a non-synthetic detergent, one cap per litre water.

Lay the fabric in the water and hold the headrail above the water.

The cleaning result will be better if the pleats are not held in the water as a bundle, but opened. Prevent the creasing or deforming of the fabric and the pleats. Use a soft sponge or brush on the fabric to clean any stains. Do not leave the fabric in the water for longer than two hours.

Hang the fabric out fully above the bath and spray-clean it front and back, to ensure that dirt and soap residue have been removed from the fabric.

Pull the fabric up carefully and ensure that the pleats fold correctly. Once the bundle of material has been completely folded together, press the headrail and bottom rail together again with both hands. This will wring as much water as possible out of the fabric.

Replace the steel weighting slat in the bottom slat.

Now replace the Plissé shade or the Duette® in the mounting brackets, and allow the fabric to drop completely. You can try again to remove any marks or residual dirt with a slightly damp sponge. Now raise the fabric to ± 300 mm under the headrail.

Raise the fabric once every hour and then allow it to drop before raising it again to 30 cm under the headrail. Repeat this cycle until the fabric is dry.

If the shade is wider than the bath at your disposal, you can clean the fabric with a soft sponge or have it cleaned by a professional cleaning service, which has a receptacle and possibly ultrasonic cleaning technology.

Disclaimer

The above recommendations have been drawn up with care. We are, nevertheless, unable to accept responsibility for the results of cleaning.