

# Installation and operating instruction for Luxaflex® Duette® and Plissé Shades



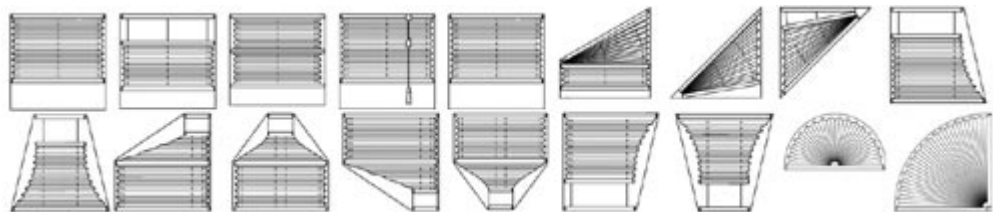
[www.Luxaflex.com](http://www.Luxaflex.com)



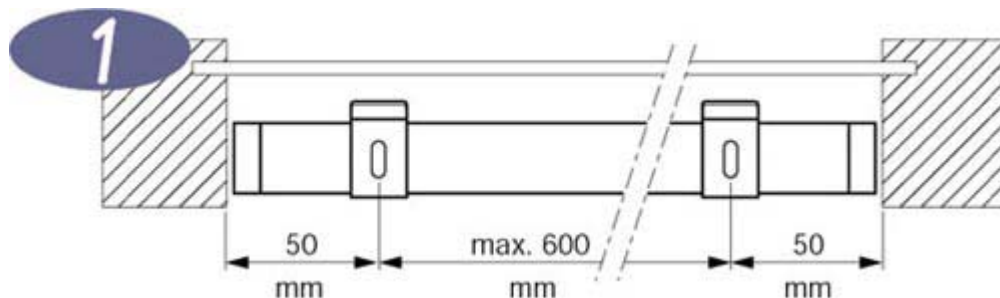
UK

## General Information

Please read the following installation and operating instructions carefully. We are unable to accept responsibility for products that have not been installed or operated correctly. The mounting instructions are standard for the models shown below.



## Standard Mounting

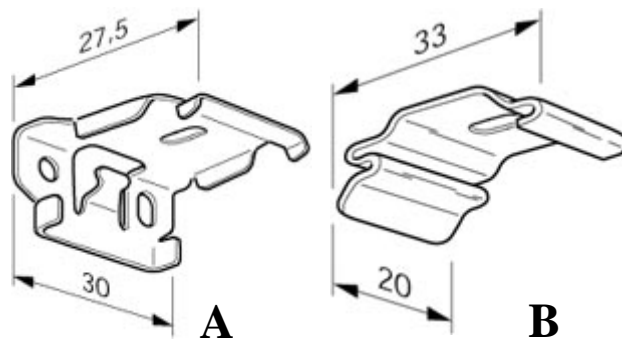


### 1. Marking

Mark the position of the bracket on the windowsill or ceiling as shown in the diagram. Make sure that the surface that you will be mounting onto is sufficiently secure to support the product. Position the brackets so that the blind will not be obstructed by protruding parts such as window or door handles.

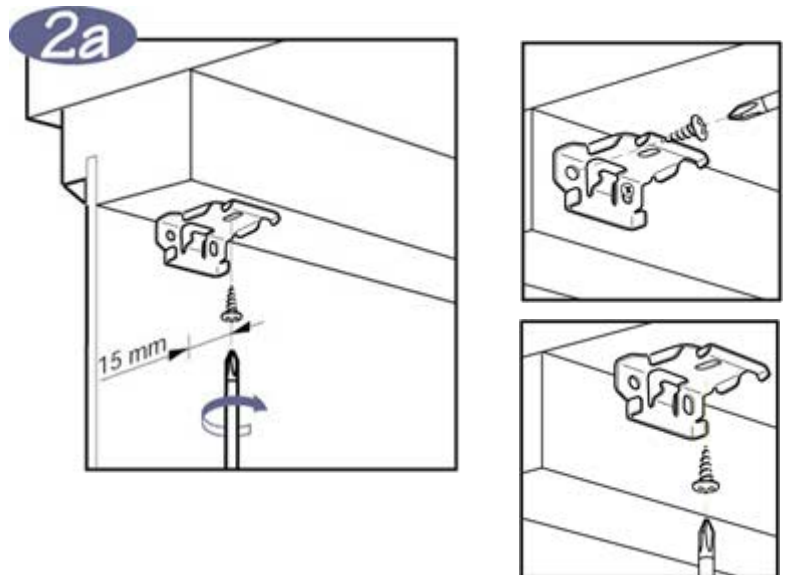
### 2. Mounting brackets

Dependent on the chosen model, brackets A or B are supplied as shown in the diagram.



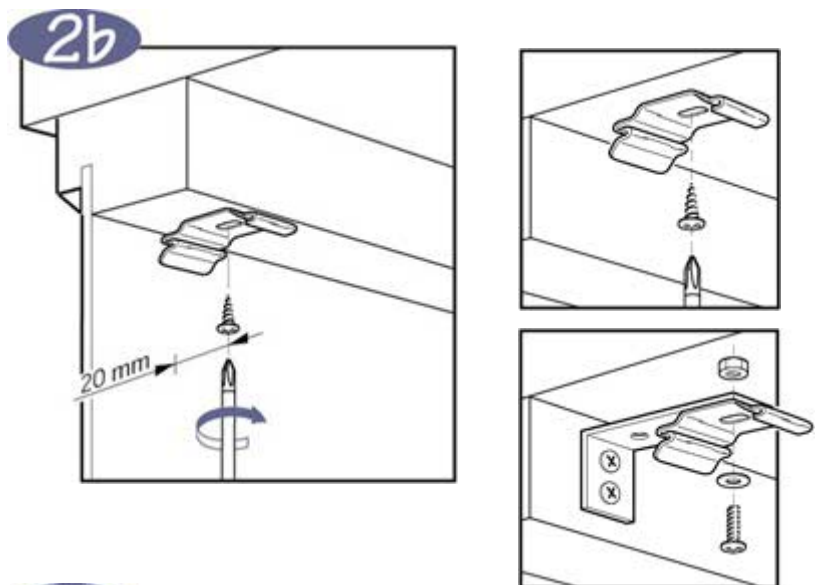
## 2a. Mounting wall/ceiling brackets

Mount the brackets, with the supplied screws, in one of the ways as shown in diagram 2a.



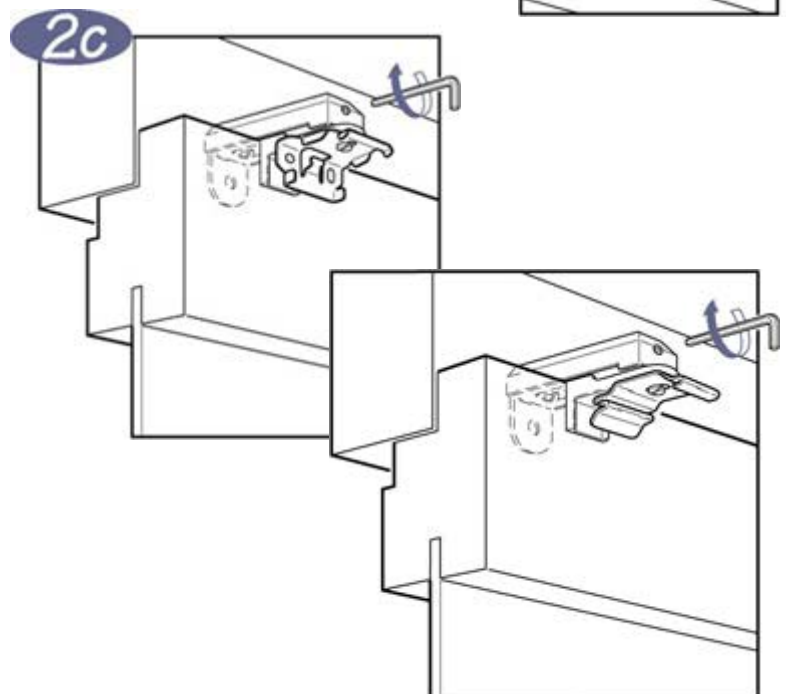
## 2b. Mounting ceiling brackets

Mount the brackets, with the supplied screws, in one of the ways as shown in diagram 2b.



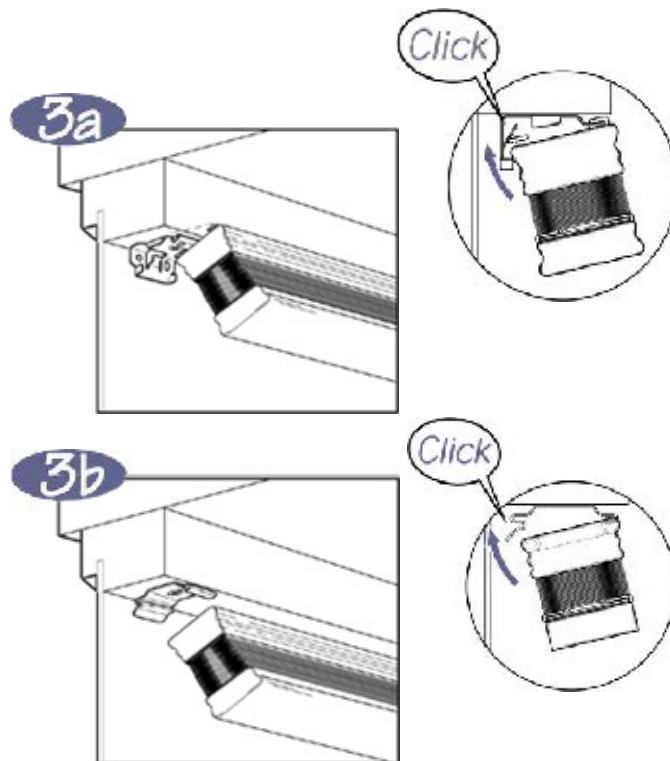
## 2c. Mounting on aluminium or PVC windows

For mounting on aluminium or PVC windows, where drilling is not advised, the installation bracket shown in diagram 2c can be supplied. Fix the bracket by tightening with an Allen key.



### 3. Mounting of the rail

Dependent on the brackets A or B, refer to diagram 3a or 3b. Push the back of the rail up, so the metal strip of the bracket clips positively, with a "click" into the groove on the back of the headrail.



## OPERATION

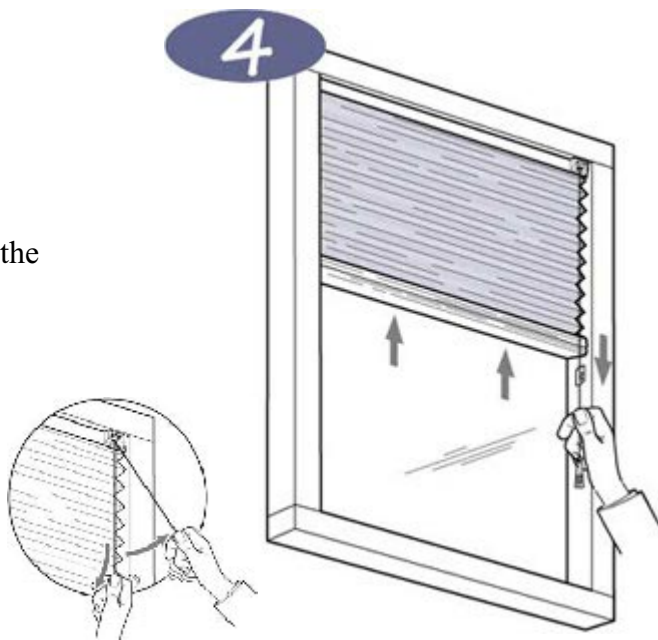
Dependent on the chosen model, there are several operation possibilities:

### 4. Cord operation with cordlock

To operate the blind, pull the cords vertically down-wards to release the cordlock and allow the cords to run vertically upwards to lower the blind. To raise the blinds, pull the cords downward until the blind is at the desired height, then raise the cords toward you which will engage the cordlock.

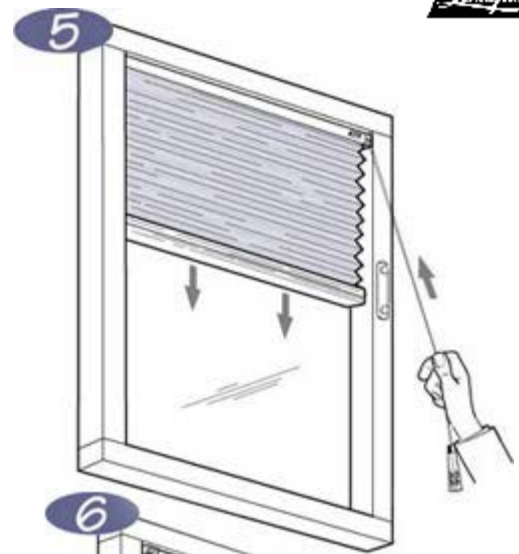
#### *Attention:*

Do not operate the cords by pulling to the left or right to operate the cordlock, as this may result in fraying cords.



### 5. Cord operation without cordlock

Take the cord from the cordcleat and lower or raise the blind to the desired position. Tie the cord around the cleat to secure the blind in position.



### 6. Double cord with cordlock (day and night)

*See operation 4.*

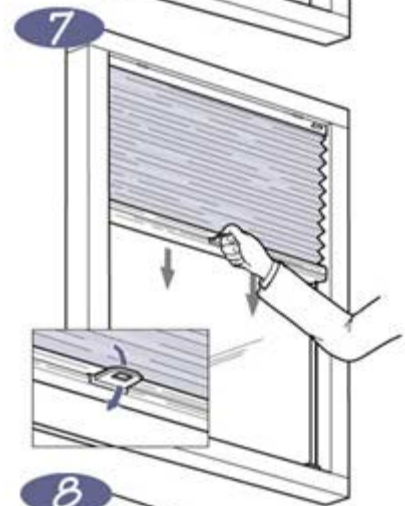
One cord operates the upper rail, the other, the lower rail.

To raise the blind completely, always start by pulling up the upper rail.

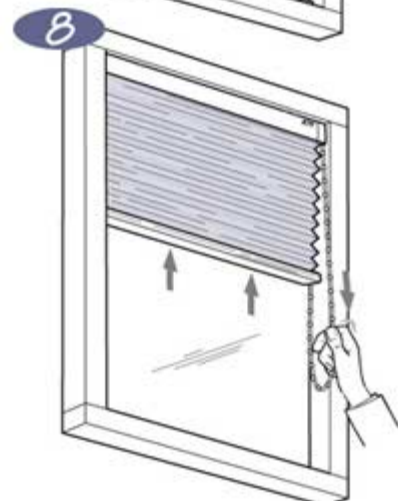


### 7. Pull-down handle operation

The angle of the pull-down handle can be adjusted for convenience.



### 8. Endless cord operation



### Electric operation (no drawing)

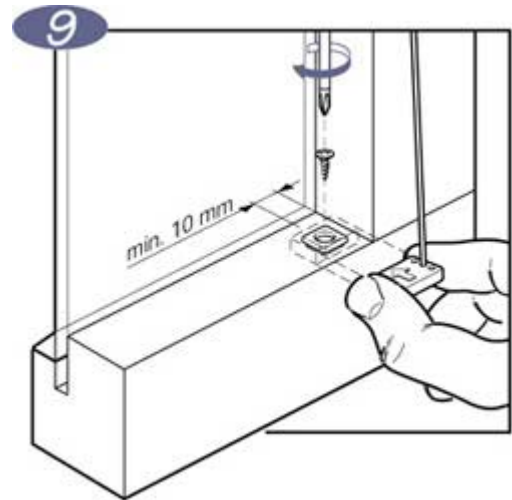
The blind can be operated by an electrical switch, or remote control.

## MOUNTING OPTIONS

Depending on situation,  
there are several mounting options:

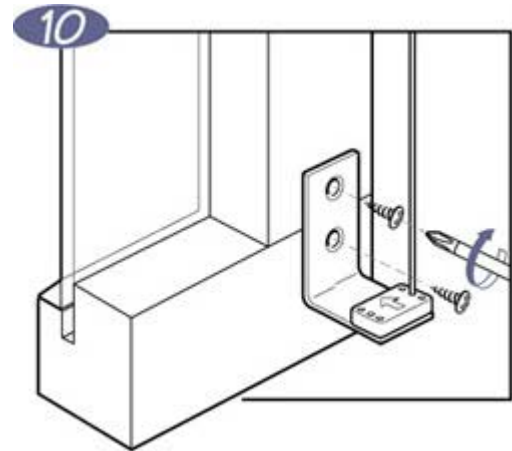
### 9. Side guiding in recess

The side guiding wire needs to be placed immediately below the top rail.  
The length of the wire has been set in the factory according to ordered drop.



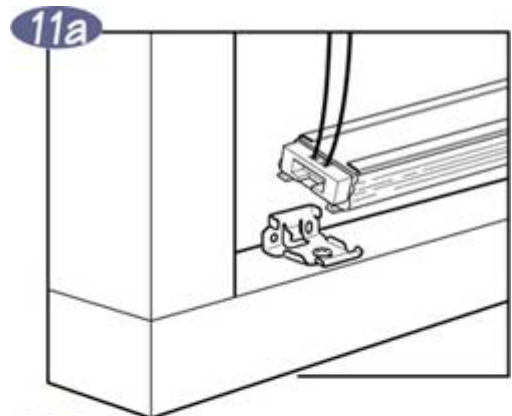
### 10. Side guiding face fit

The side guiding wire needs to be placed immediately below the top rail.  
Mount the bracket in such a way that you put tension on the cord.



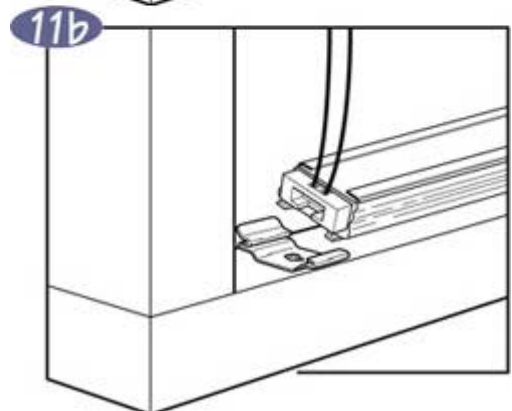
### 11a. Side guiding in recess with tension rail

Mount the tension rail in the same way as the top rail, mounting the brackets upside down.

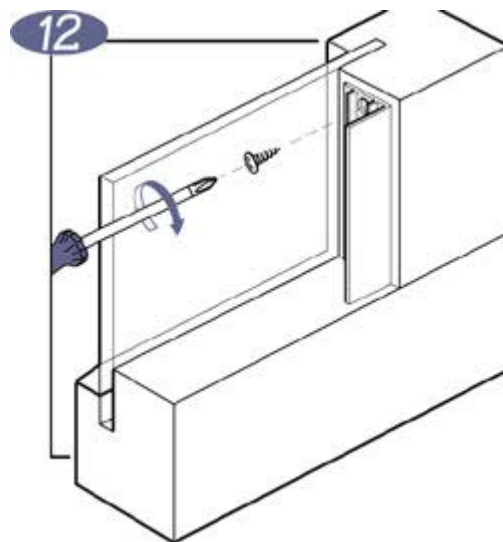


### 11b. Mount the tension rail in the same way as the top rail

This option is standard for the models shown below.



### 12. Side guiding in recess with side over cover profiles

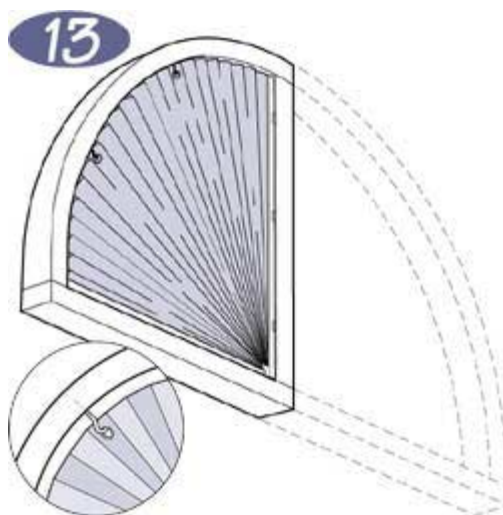


### 13. Arch and half arch models

Mount the rail in the same way as for standard mounting, see sections 1 to 3.

*Attention:*

For Plissé blinds - Mark the positions of the rings in the pleated fabric and screw the cup hooks in this position. Hook the cloth on the hooks. For Duette® - mark and mount "arch support clips", hook back of fabric between the two "fingers" to prevent the fabric dropping forwards.

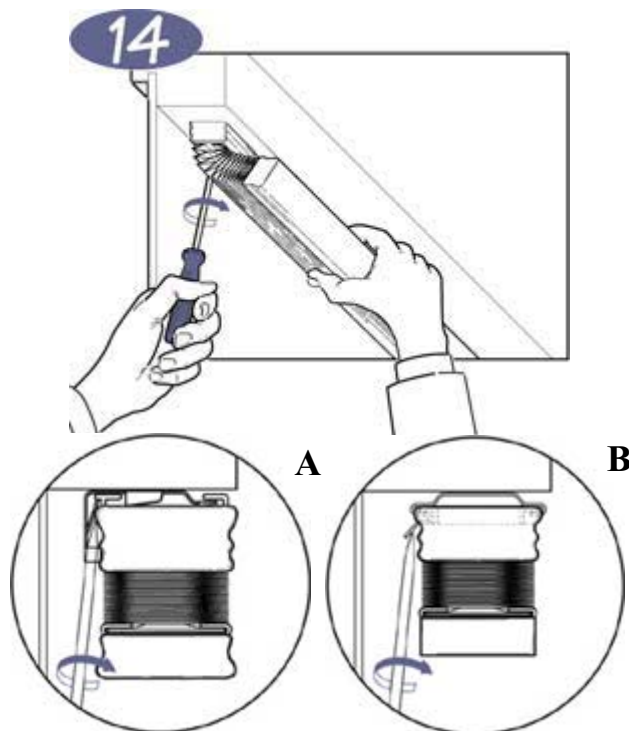


## DEMOUNTING

14. Fully raise the blind. Push a flat bladed screwdriver up between the headrail and the back of the mounting bracket. Gently turn the screwdriver and the blind will come loose.

*Attention:*

In case of tension in the wires, first de-mount the toprail, before the guiding is released.



## Maintenance

The fabric of both Luxaflex® Plissé and Duette® cannot be separated from the headrail. To prevent the Duette® and Plissé fabrics from becoming dirty, the blinds should be cleaned regularly with a feather duster or with a vacuum cleaner at a low setting. Stains should be removed as quickly as possible with a soft sponge and lukewarm water containing a non-synthetic detergent, if required.

*NB.*

Duette® and Plissé fabrics with a metallized back should not be cleaned with water, since this could damage the metallized coating.

In order to clean the whole blind, it is possible to submerge non-metallized Plissé, coated Duette® or Plissé fabrics in a bath, together with the bottom rail. This does not apply to the black-out version. You should first remove the steel weighting slat from the bottom rail by taking the plastic end cap out of the bottom rail.

### ***Proceed as follows:***

Fill a container, bath or basin with lukewarm water (30°C) and add a non-synthetic detergent, one cap per litre water.

Lay the fabric in the water and hold the headrail above the water.

The cleaning result will be better if the pleats are not held in the water as a bundle, but opened. Prevent the creasing or deforming of the fabric and the pleats. Use a soft sponge or brush on the fabric to clean any stains. Do not leave the fabric in the water for longer than two hours.

Hang the fabric out fully above the bath and spray-clean it front and back, to ensure that dirt and soap residue are removed from the fabric.

Pull the fabric up carefully and ensure that the pleats fold correctly. Once the bundle of material has been completely folded together, press the headrail and bottom rail together again with both hands. This will wring as much water as possible out of the fabric.

Replace the steel weighting slat in the bottom rail.

Now replace the Plissé shade or the Duette® in the mounting brackets, and allow the fabric to drop completely. You can try again to remove any marks or residual dirt with a slightly damp sponge. Now raise the fabric to ±300 mm under the headrail.

Raise the fabric once every hour and then allow it to drop before raising it again to 300 mm under the headrail. Repeat this cycle until the fabric is dry.

If the shade is wider than the bath at your disposal, you can clean the fabric with a soft sponge or have it cleaned by a professional cleaning service, which has a receptacle and possibly ultrasonic cleaning technology.

### ***Disclaimer***

*The above recommendations have been drawn up with care. We are, nevertheless, unable to accept responsibility for the results of cleaning.*