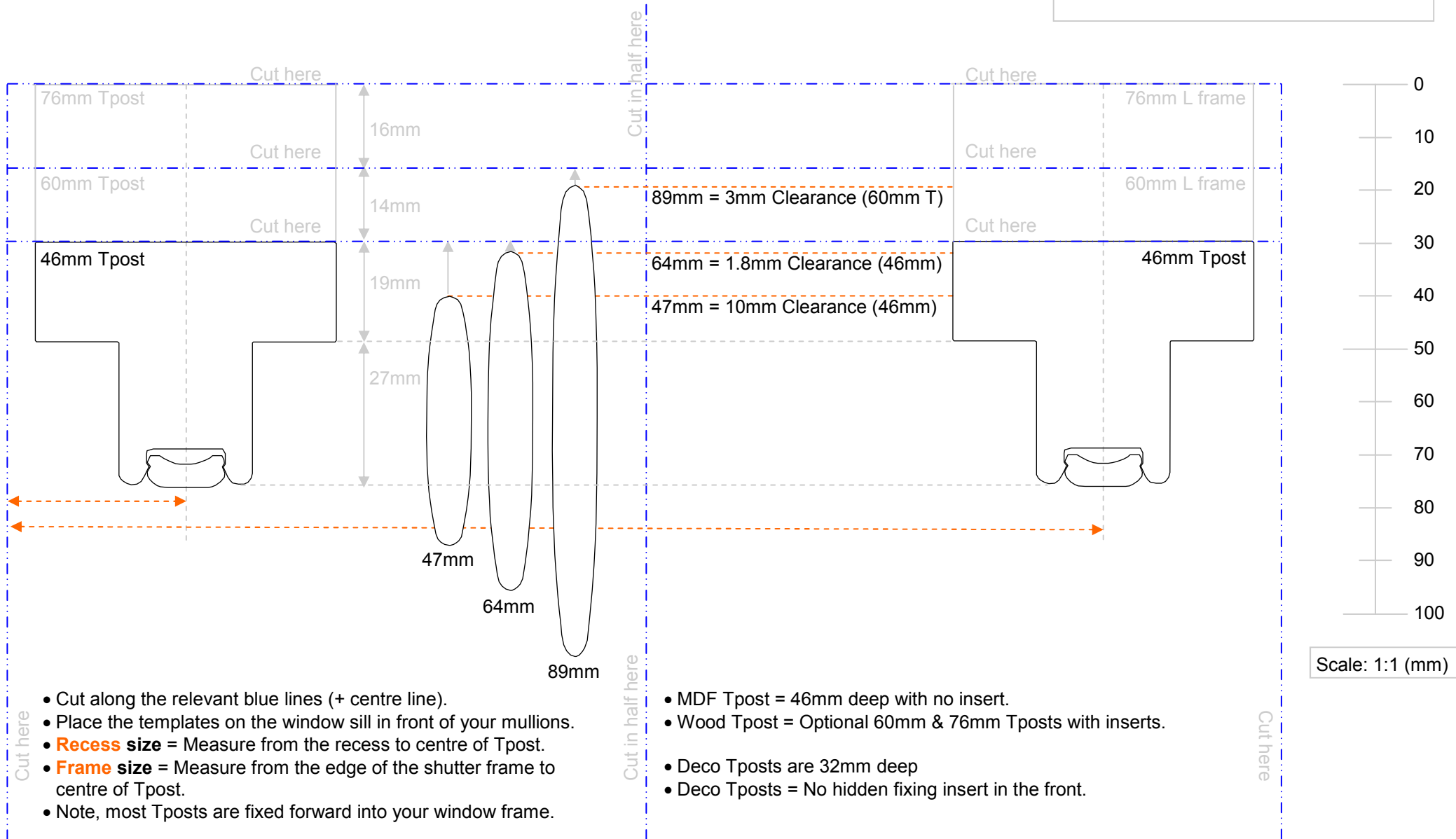


This template can be cut out and used as a guide.

Please check it's printed to scale before use!

MEASURING: L FRAME T POST TEMPLATE FOR - STANDARD, STANDARD LITE, ELITE



- Cut along the relevant blue lines (+ centre line).
- Place the templates on the window sill in front of your mullions.
- **Recess size** = Measure from the recess to centre of Tpost.
- **Frame size** = Measure from the edge of the shutter frame to centre of Tpost.
- Note, most Tposts are fixed forward into your window frame.

- MDF Tpost = 46mm deep with no insert.
- Wood Tpost = Optional 60mm & 76mm Tposts with inserts.
- Deco Tposts are 32mm deep
- Deco Tposts = No hidden fixing insert in the front.

1.4: Tposts

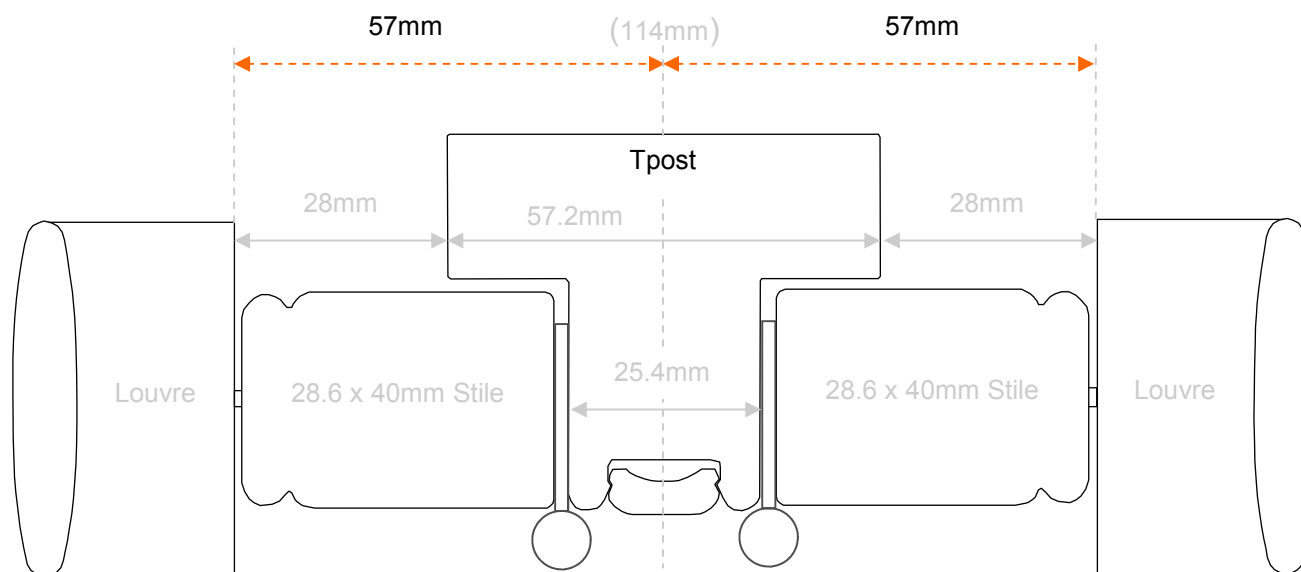
Tpost clearance

Use this drawing to ensure any handles or nearby protruding objects will clear the louvre blades.

MEASURING: TPOST CLEARANCE

Scale 1:1

Plan view showing the clearance between louvre blades when shutters are fitted either side of a Tpost



Technical Tpost drawings

These drawings show the range of Tposts and sizes available.

