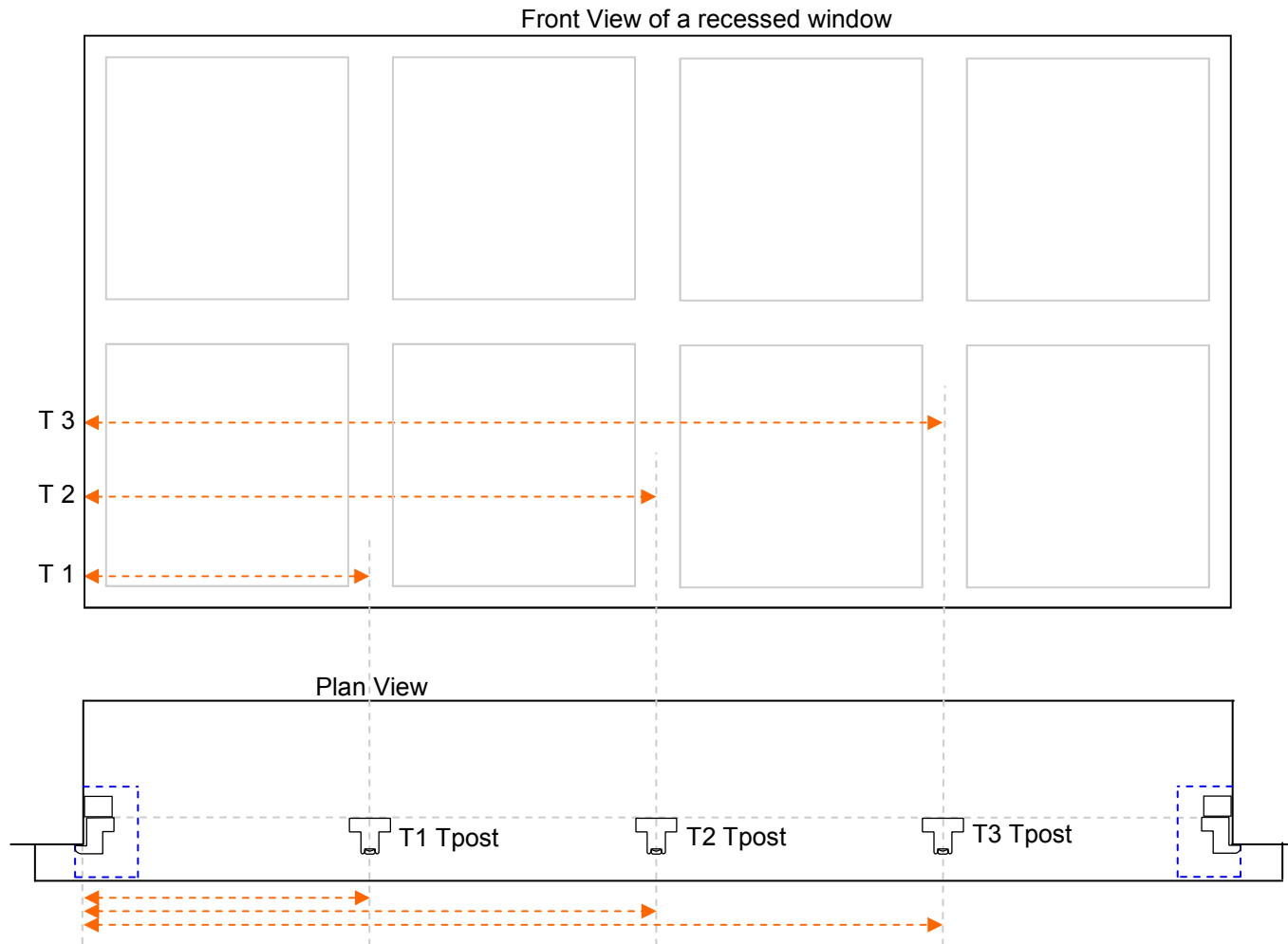


MEASURING: HOW TO MEASURE FOR Z FRAME T POSTS



3.3: Tposts

Adding a Tpost to a Z frame

Tposts form part of the shutter frame and are measured from the left side of your window recess or shutter frame.

They are not suitable for 3 sided frames as they need to be screwed through the top and bottom of the frame to secure them. Tposts are measured from the left side of your window.

From the left, measure to the centre of the 1st vertical upright (Mullion) this will be your 1st Tpost width (T1).

Continue measuring from the left for the remaining Tposts you require.

Out of level windows

Measure the Tposts in the same place as the smallest overall width you took.

Horizontal Tposts

Measured in the same way as the vertical post, only from the window sill up to the centre of each required Tpost.

Tpost details

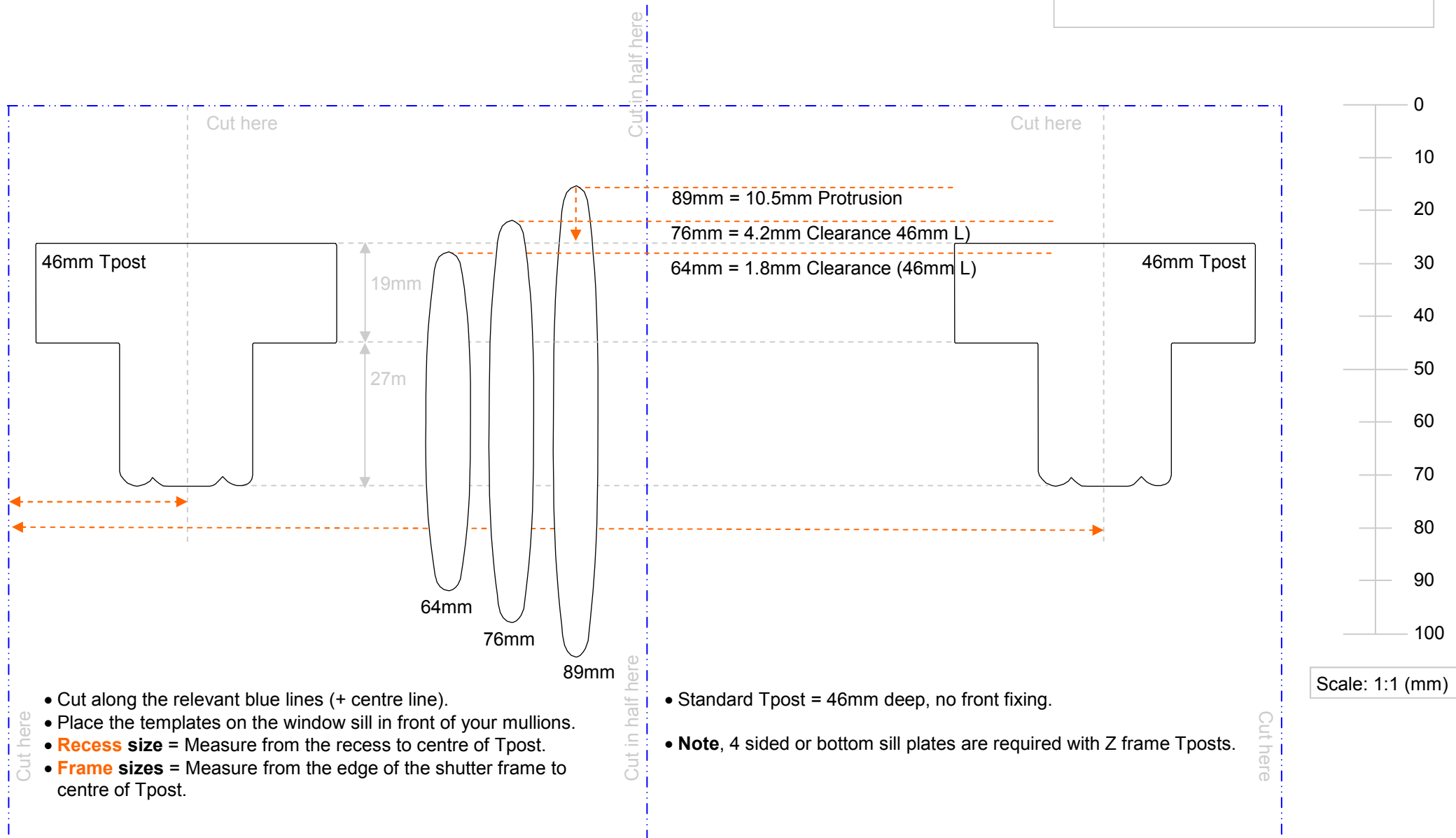
T1 Width	
T2 Width	
T3 Width	
T4 Width	
T5 Width	
T6 Width	
T7 Width	
T8 Width	

3.3: Tposts

This template can be cut out and used as a guide.

Please check it's printed to scale before use!

MEASURING: Z FRAME T POST TEMPLATE



3.3: Tposts

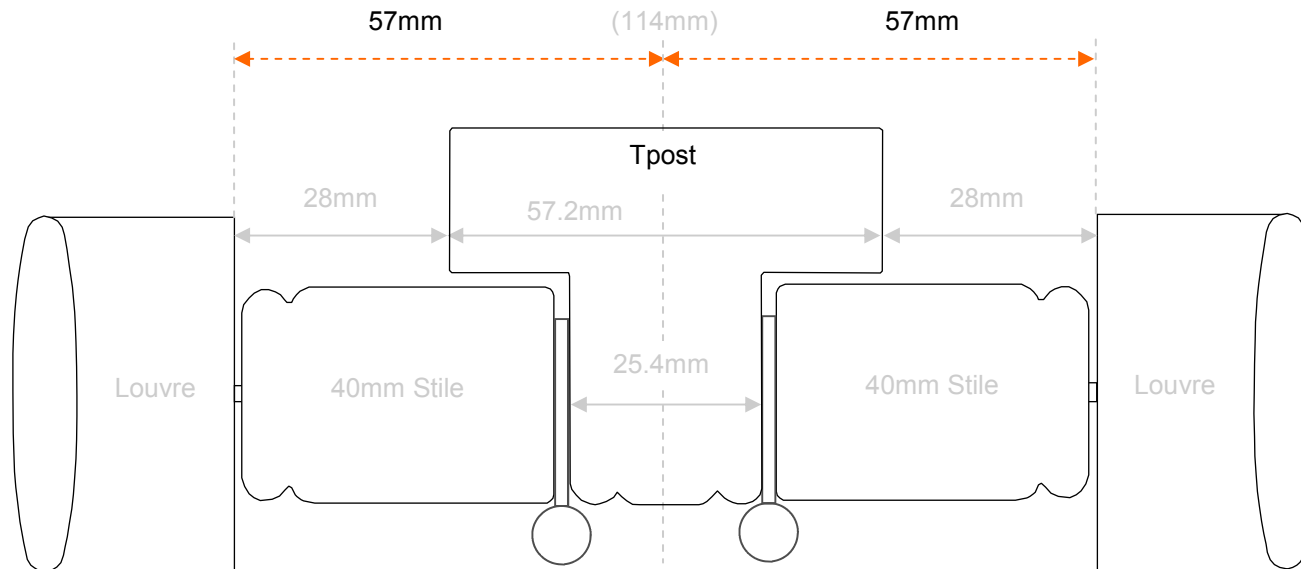
Tpost clearance

Use this drawing to ensure any handles or nearby protruding objects will clear the louvre blades.

MEASURING: Z FRAME T POST CLEARANCE

Scale 1:1

Plan view showing the clearance between louvre blades when shutters are fitted either side of a Tpost.

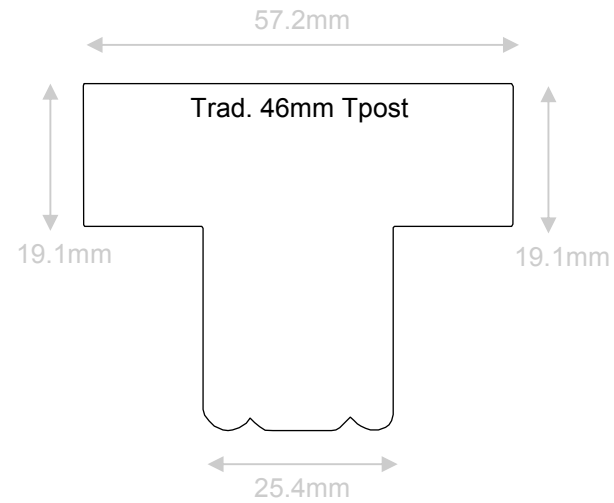


3.3: Tposts

Technical Tpost drawing

Note, there are no forward fixing holes supplied in these Tposts.

Z frame Tposts are fixed to the main frame through the top and bottom outer frames.



MEASURING: TECHNICAL Z FRAME T POST DRAWING